

# The factory-set pressure switch 911.10/11



## Application

Factory-set pressure switch monitoring overpressure, vacuum or differential pressure of liquid and gaseous . also aggressive . media. Pressure setting and switching differential are factory-set by the manufacturer.

## Temperature range

Ambient temperature from . 20° C bis 85° C

## Diaphragm material

NBR, FKM / FPM, EPDM, Silicone (VMQ)

## Electrical rating

Standard version	max. 6 (1.5) A / 250 VAC
	max. 10 (2) A / 250 VAC
	max. 2 A / 24 VDC
Low-voltage version	max. 100 mA / 24 VAC
	max. 30 mA / 24 VDC

## Electrical connection

Tab terminal 6.3 mm x 0.8 mm in accordance with DIN 46244

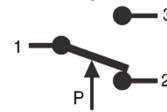
## Pressure connection

Tube connection of Polyamid: 6.5 mm  
Threaded connection of brass or stainless steel: G1/8

## Damping

Restrictors alternatively with 0.2/0.3/0.5/0.8 mm diameter

## Arrangement of contacts



## Protection

IP00 without protection cap  
IP44 / IP54 depending on the used protection cap

## Protection class

Protection class II is only met by using a protection cap from our accessories program.

The pressure switch without protection cap is provided for installation in equipment. The construction of the equipment and the type of installation determine the protection class.

## Warning

Read instructions before use. This regulating and control unit must be installed in compliance with the applicable regulations.

## Conformity

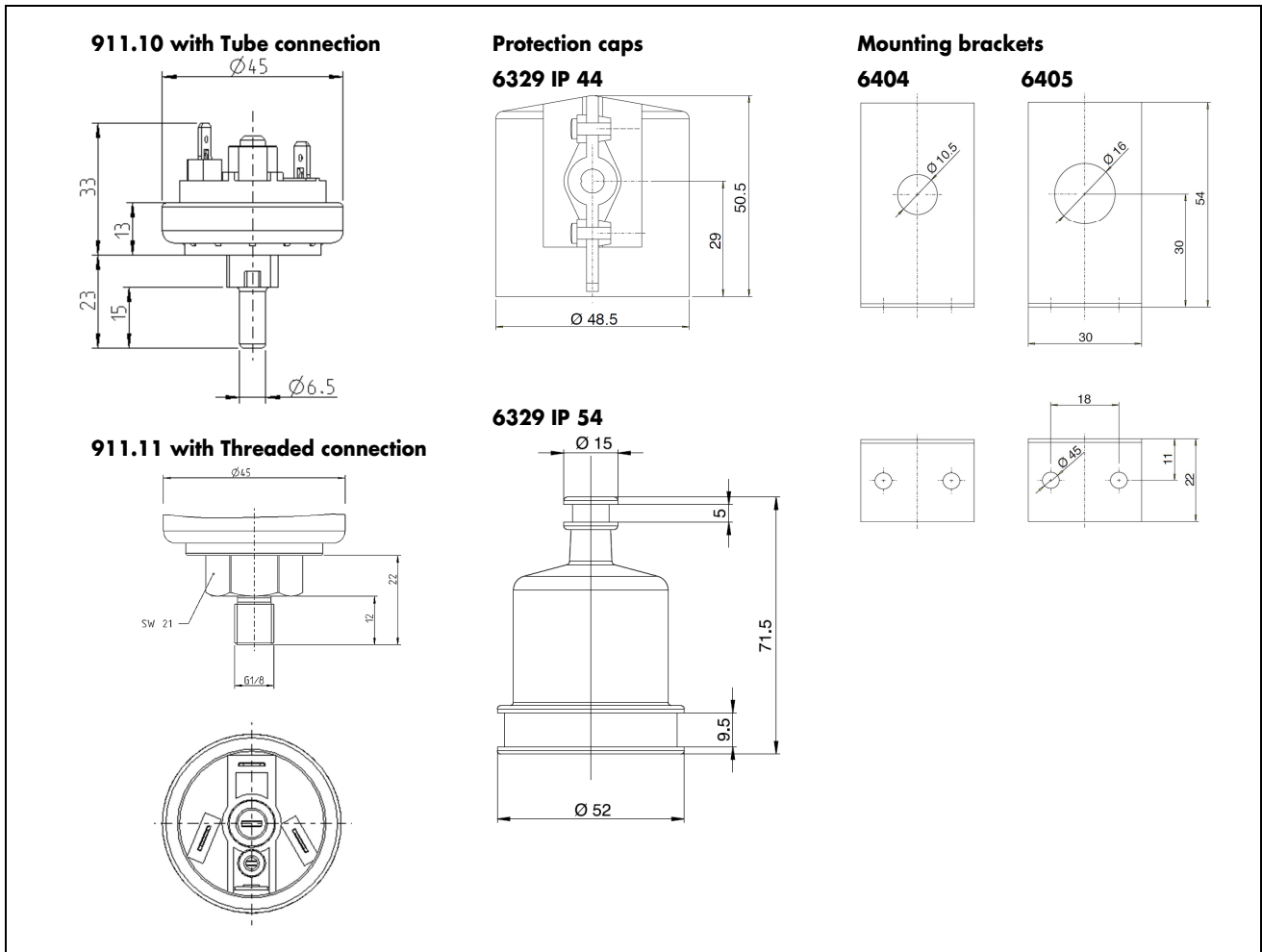
EU Low Voltage Directive  
EU RoHS Directive

## Overpressure range

Type	Factory-set trip pressure		Switching differential (Hysteresis)		Tolerance band of trip pressure	Maximum positive working pressure	Maximum negative working pressure
	between	and	lower end of range	upper end of range			
911.1x	5 mbar	20 mbar	3 mbar	5 mbar	± 10 %, min. 0.75 mbar	0,5 bar	-1
	20 mbar	50 mbar	5 mbar	10 mbar	± 10 %, min. 0.75 mbar	0,5 bar	-1

# The factory-set pressure switch 911.1x

with factory-set pressure setting



Copyright© 2021 Beck Sensortechnik GmbH

Technische Änderungen vorbehalten.

911.1x\_data\_english 7181-2

Order matrix		911.1	X	X	1	X	X	X
Pressure connection	Plastic		0					
Material	Metal		1					
Pressure range	5 mbar ÷ 20 mbar		2					
	20 mbar ÷ 50 mbar				1			
Tolerance band	±10%							
Diaphragm	NBR					1		
	EPDM					2		
	Silicone (VMQ)					3		
	FKM / FPM					4		
Pressure connection	6.5 mm PA6 (only for 911.10)							B
	G 1/8 CuZn40 (only for 911.11)							M
	G 1/8 V <sub>2</sub> A (only for 911.11)							Q
Switch contacts	Low-voltage	Gold-plated						1
	6A / 250 VAC	AgNi						4
	10A / 250 VAC	AgNi						5



COMHAS

Comhas S.r.l.  
Via Matteotti, 66  
20092, Cinisello Balsamo (MI) - Italy  
Telefono: +39 02.61298551  
Fax: +39 02.66594921  
E-mail: info@comhas.com  
<https://www.comhas.com/>



Beck Sensortechnik GmbH  
Ferdinand-Steinbeis-Str. 4  
P.O. Box 1131  
71144 Steinbronn  
Telephone: +49 (7157) 5287-0  
Telefax: +49 (7157) 5287-83  
E-Mail: sales@beck-sensors.com  
<http://www.beck-sensors.com>